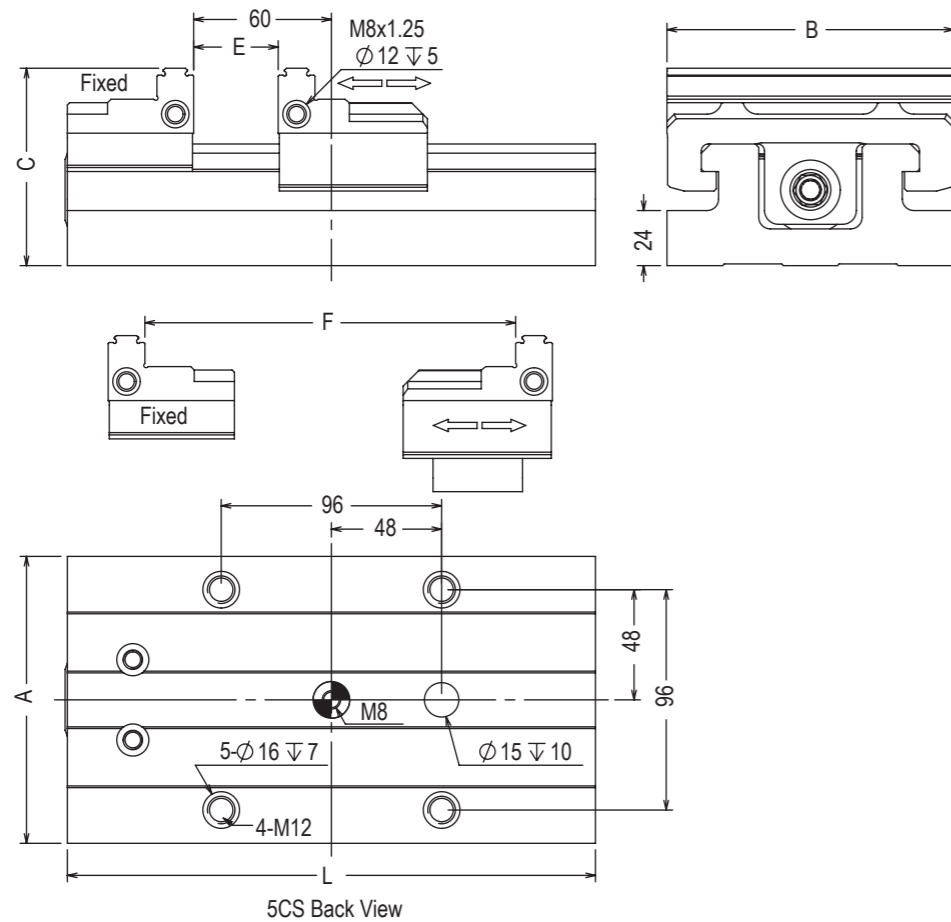


Grip Center Clamp Series

5" Grip Vises



Technical Data	Clamping Range				Clamping Force	Torque
	A	B	C	L		
5" Grip Vise WEV-5CS200	125	125	86	230	15.6kN/85Nm	Max.100Nm

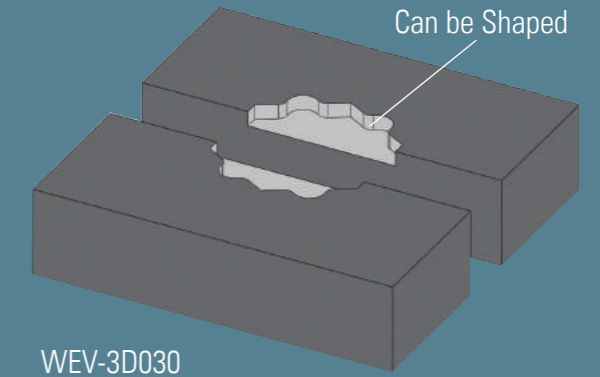


Optional Accessories	
WEV-0500 M10 Cap 1 set of 4	WEV-0520 M12 1 set of 4

Attachment	Recommended
Tool = 8mm	Max. 100Nm

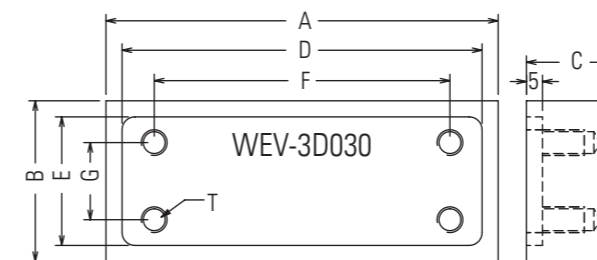
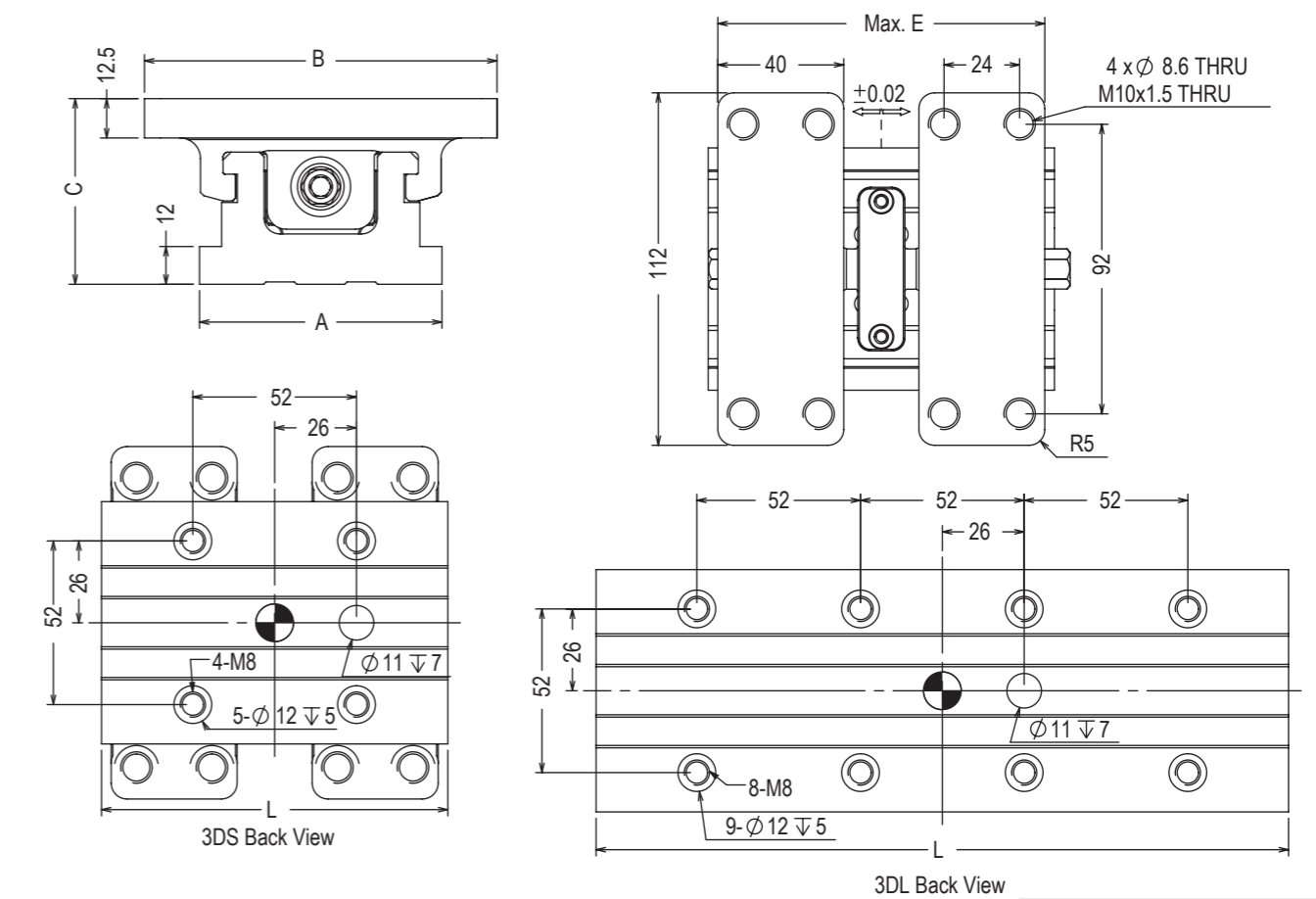
Grip Center Clamp Series

3" Self-Centering Visas



Technical Data	Clamping Range				Clamping Force	Torque
	A	B	C	L		
3" Self-Centering Vise WEV-3DS110	77	112	59	110	13kN/60Nm	Max.70Nm
3" Large Self-Centering Vise WEV-3DL220	77	112	59	220	13kN/60Nm	Max.70Nm

Technical Data	A	B	C	D	E	F	G	T	Material	Set/Kg
3" Soft Jaws WEV-3D030	122	50	30	112	40	92	24	M8	S50C	2.5

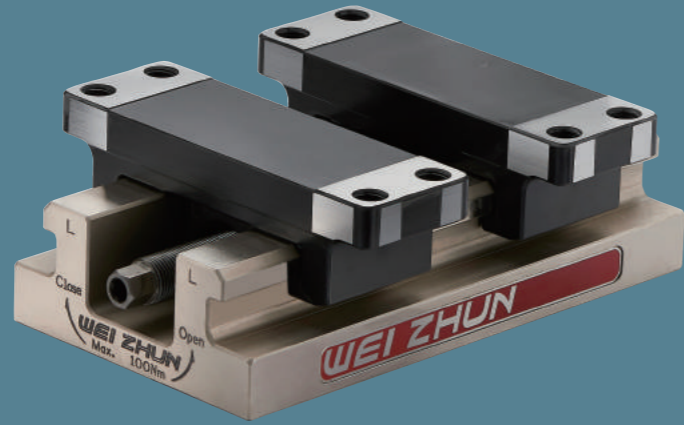
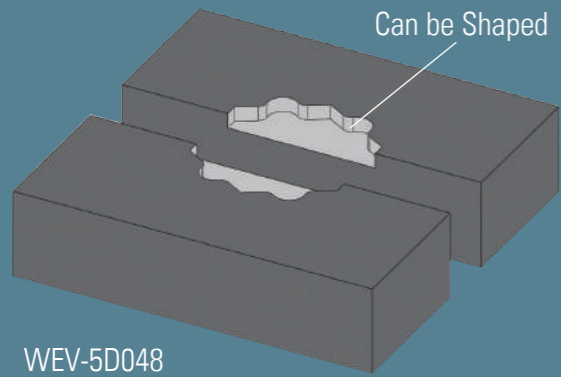


Attachment	Recommended
Tool = 6mm	Max. 70Nm

Optional Accessories	
WEV-0300 2-M10 Cap 1 set of 2	WEV-0316 M8 1 set of 4

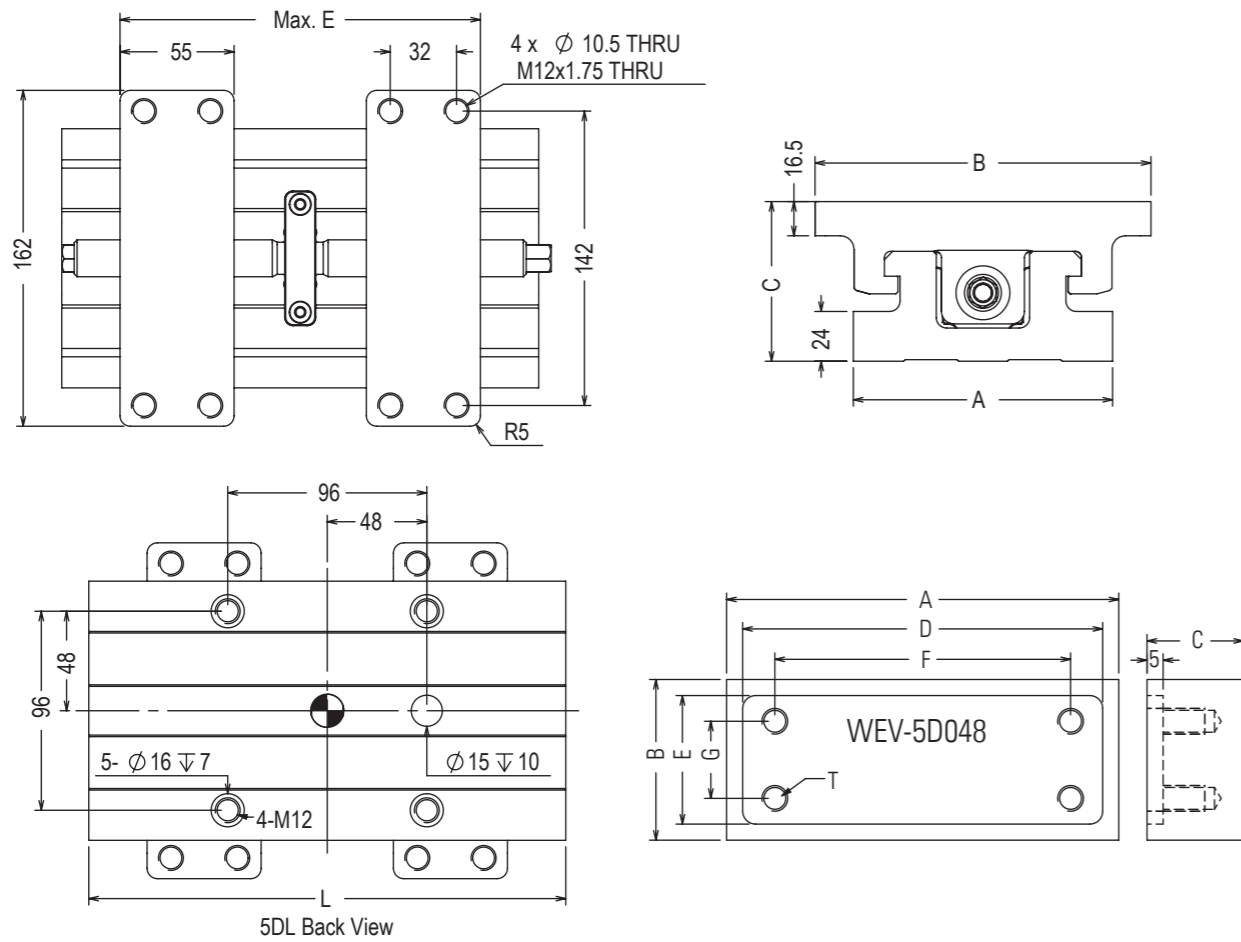
Grip Center Clamp Series

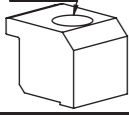
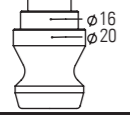
5" Self-Centering Vises





WEV-5D048

	Technical Data	A	B	C	L	E	Clamping Force	Clamping Torque	Set/Kg		
5" Self-Centering Vise	WEV-5DL230	125	162	77	230	250	15.6kN/85Nm	Max.100Nm	11.4		
	Technical Data	A	B	C	D	E	F	G	T	Material	Set/Kg
5" Soft Jaws	WEV-5D048	172	65	48	162	55	142	32	M10	S50C	7.6



Optional Accessories	
WEV-0500 M10 Cap 	WEV-0520 M12 Ø16 Ø20 
1 set of 4	1 set of 4

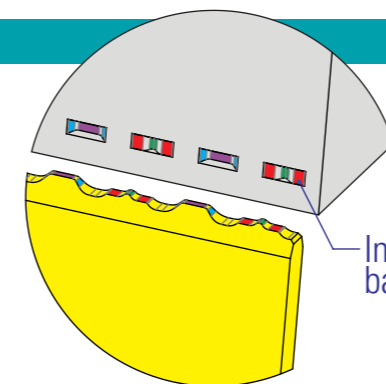
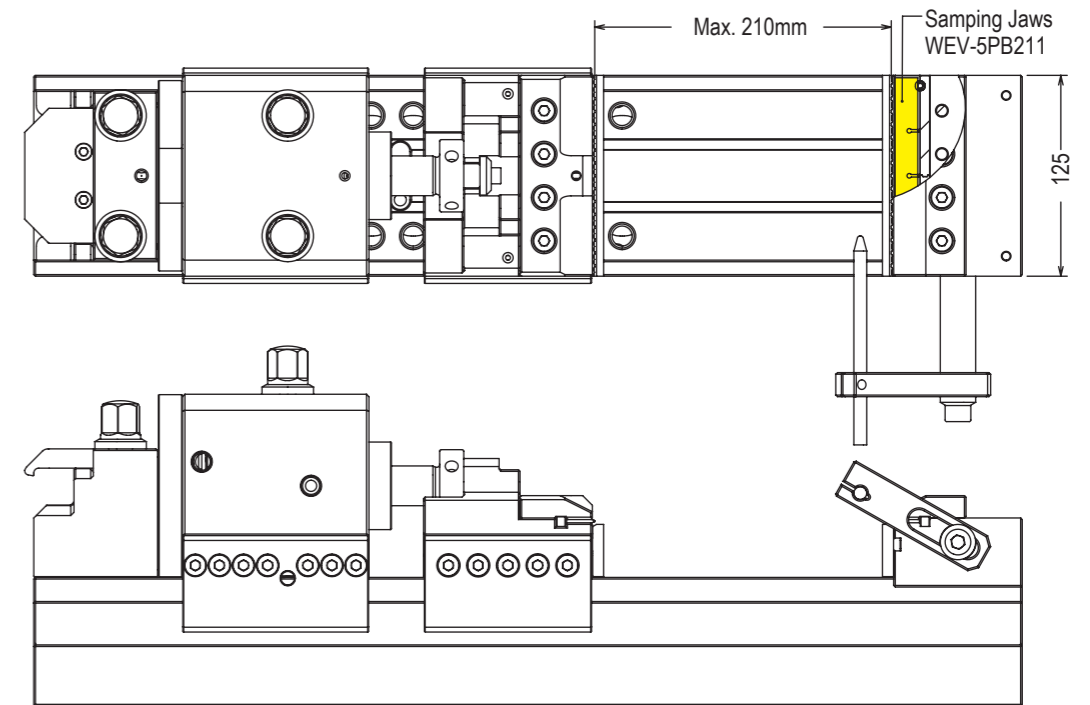
Attachment	Recommended
Tool = 8mm 	Max. 100Nm 

Grip Type Tooth Pre-Bite Machine

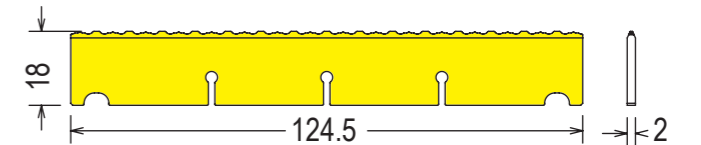
WEV-5PB210

WEV-5PB210-A

	Technical Data	L	W	H	Clamping Range	Clamping Force	Compressed Air	Set/Kg
Grip Type tooth Pre-Bite Machine	WEV-5PB210	950	600	1050	210mm	HRC 38°	6-10 Bar	215
Grip Type tooth Pre-Bite Machine	WEV-5PB210-A	615	175	345	210mm	HRC 38°	6-10 Bar	117



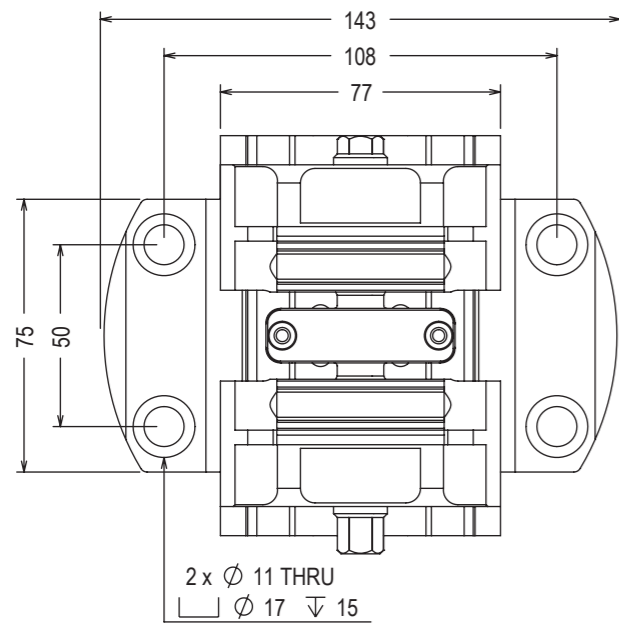
Inserting the base plane



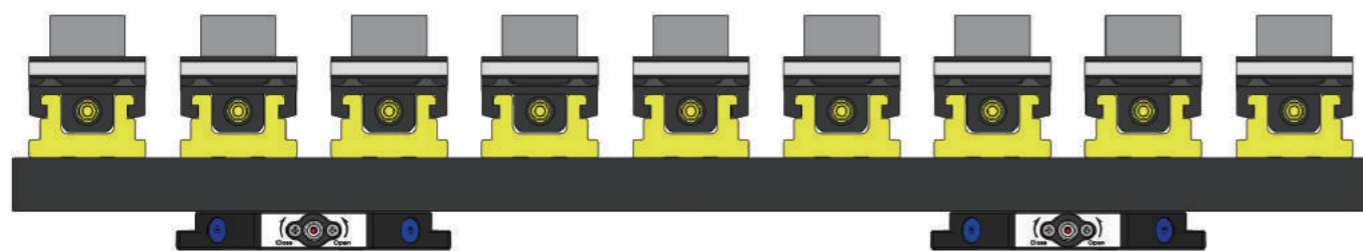
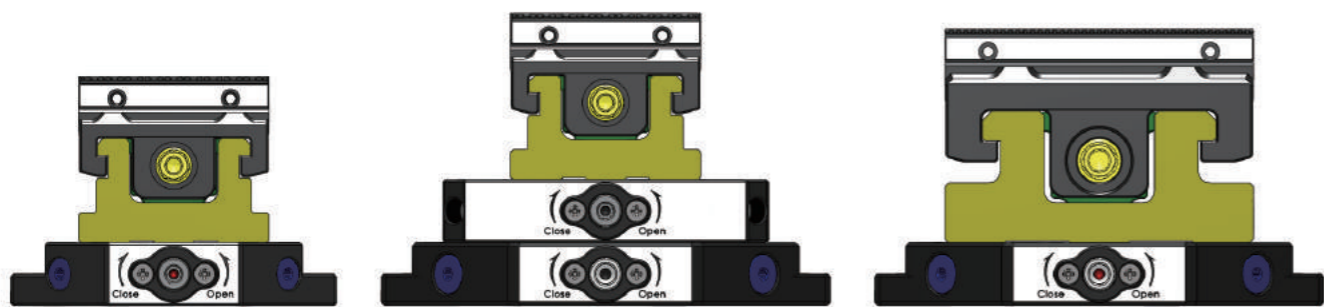
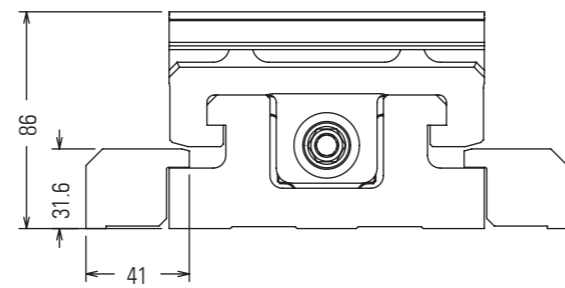
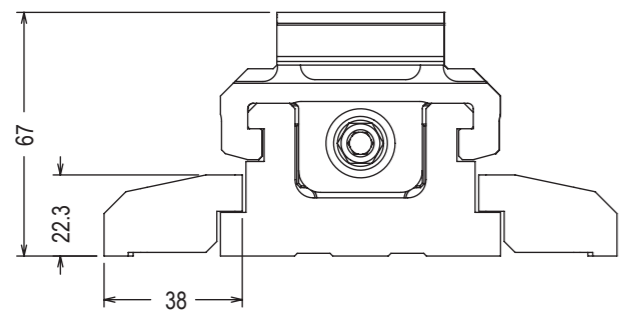
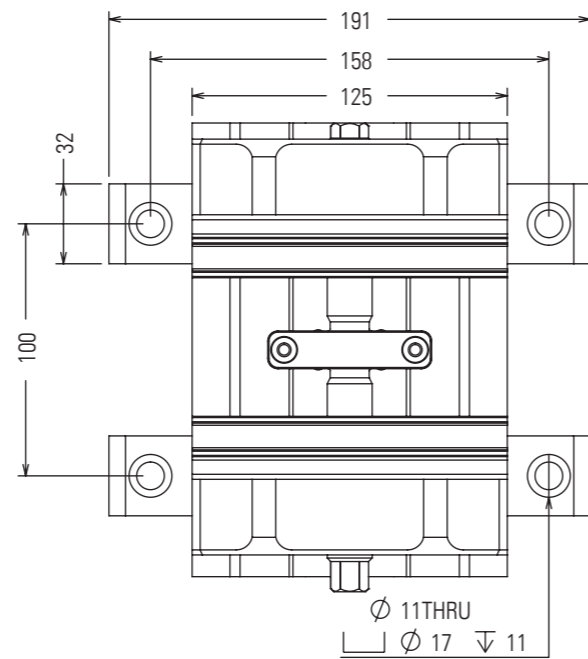
	Technical Data	Quantity	Set/Kg
Sampling Jaws	WEV-5PB211	1 Set of 2	0.07

Grip Center Clamp Series

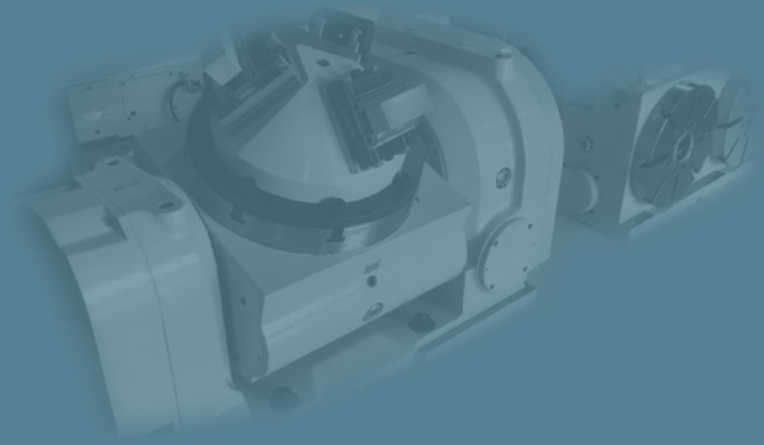
3" Installation Diagram



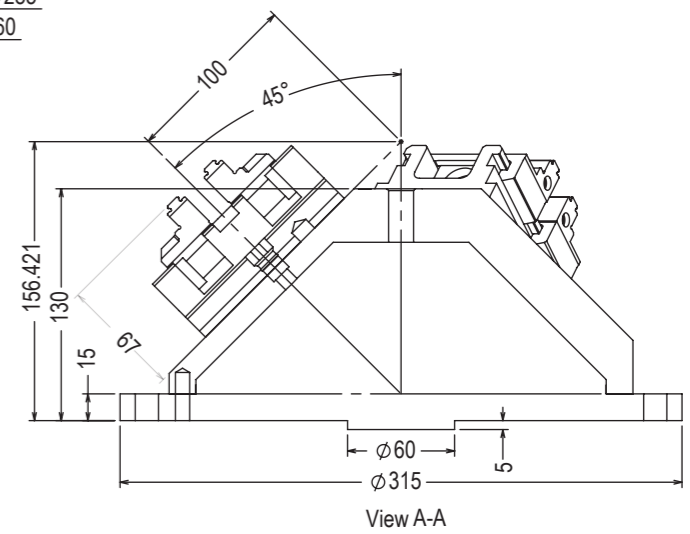
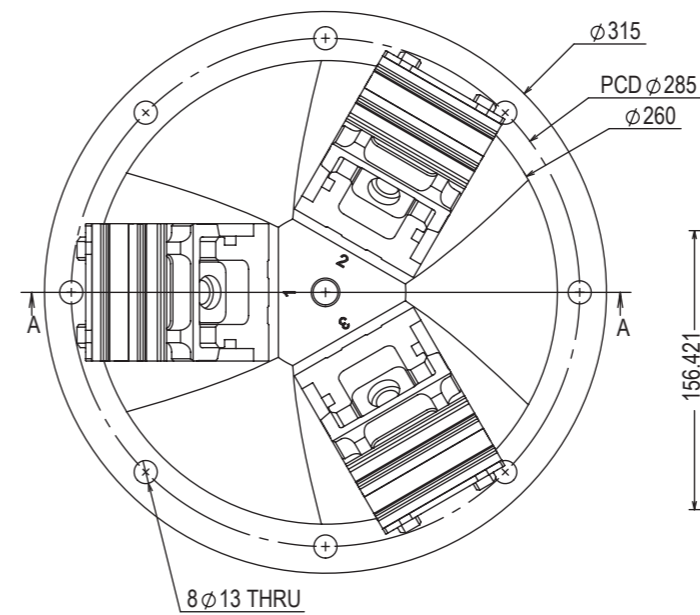
5" Installation Diagram



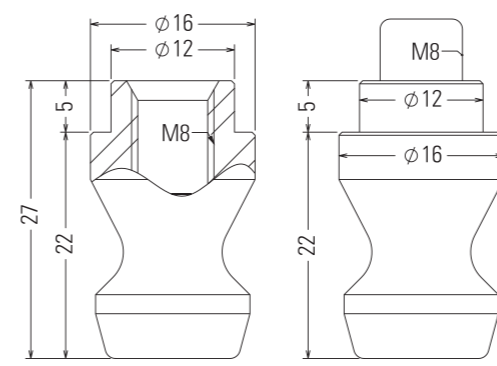
Grip Center Clamp Series



Technical Data	Dimensions	Set/Kg
WEV-3P315	Ø315 x 130mm	22.6

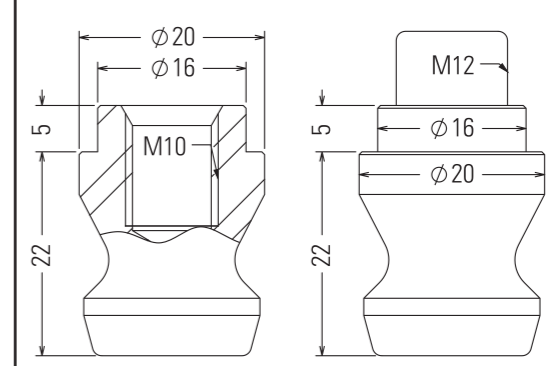


WEV-3016 Pull Studs (52P)



1 set of 4 pcs 0.12kg/set

WEV-0520 Pull Studs (96P)



1 set of 4 pcs 0.21kg/set